

Normabloc N series

Close-coupled centrifugal electropumps

Industry

Water

Waste water

Energy

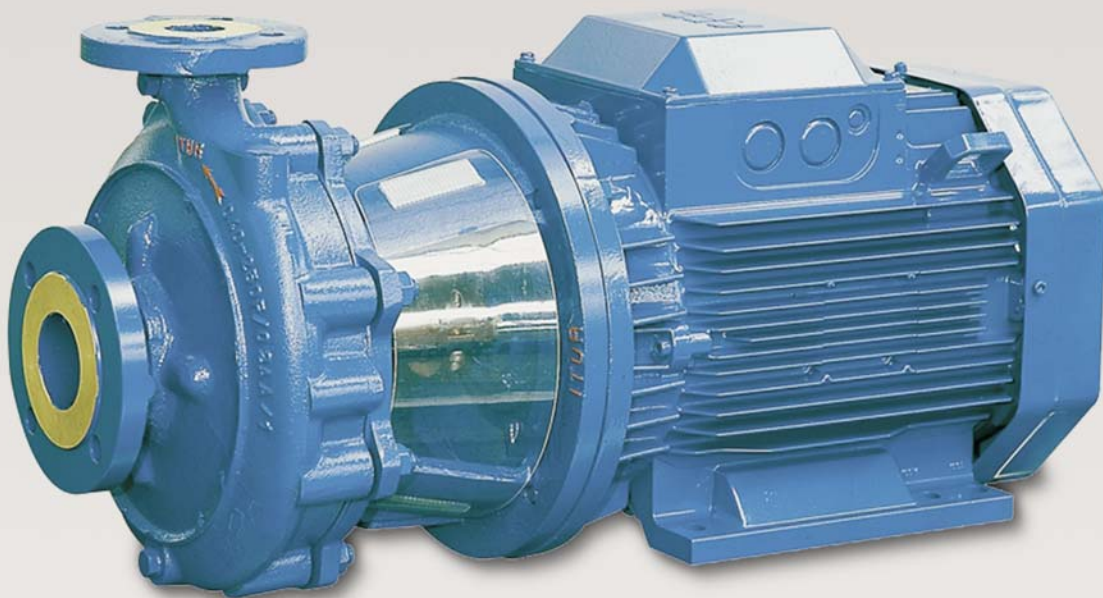
Building Services

Mining

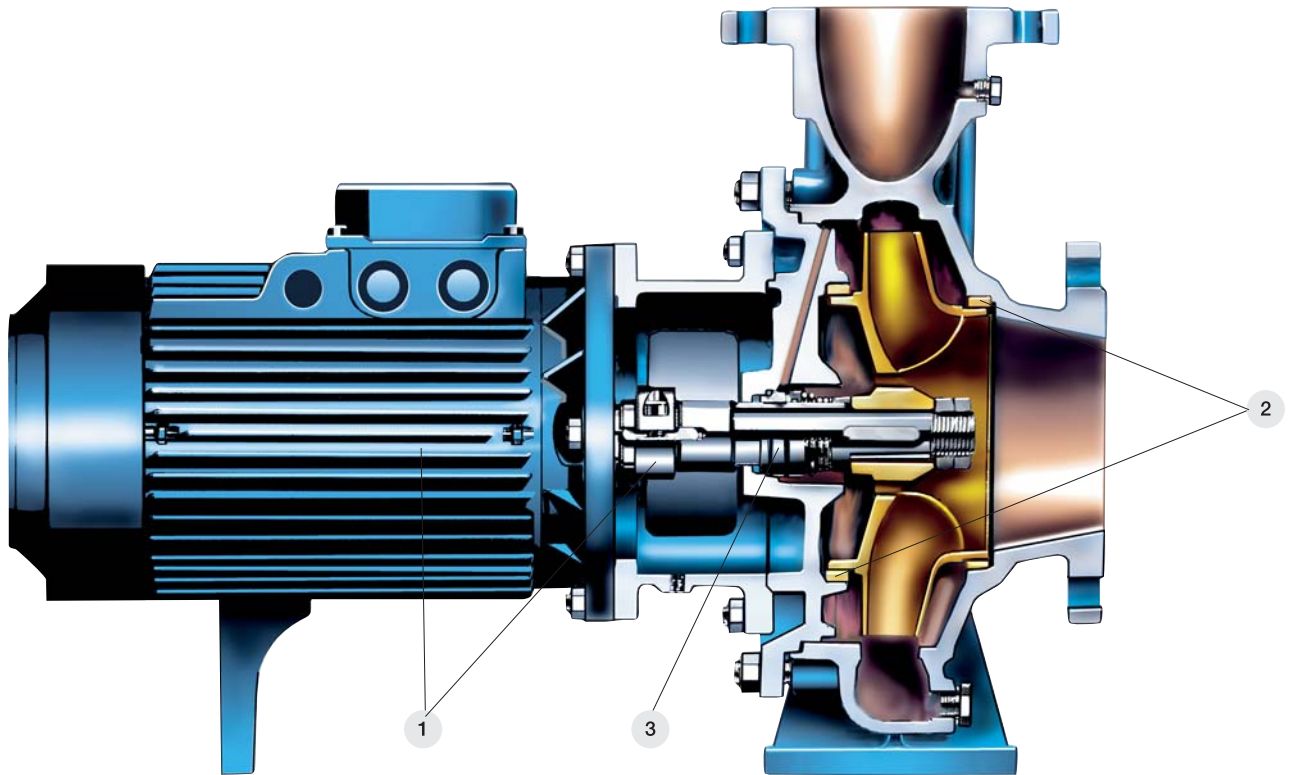
Marine

Applications

- Air conditioning and heating systems
- Water supply
- Condensate transport
- Industrial applications
- Washer machines
- Handling of hot water
- Cleaning plants
- Irrigation
- Marine industries
- Fire Fighting water



Normabloc N series



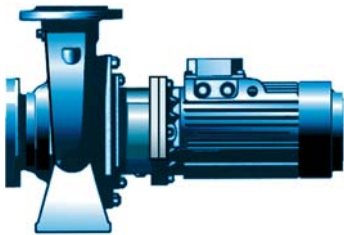
1 Easy maintenance
Standardized I.E.C. motor
with independent pump shaft

2 Wear rings
In the cover and the casing to
provide and easy repair

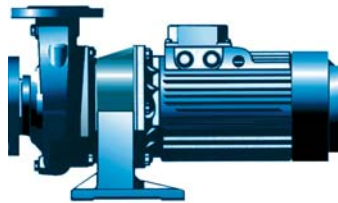
**3 Standardized mechanical
seal**
With shaft sleeve

Construction versions depending on the motor size:

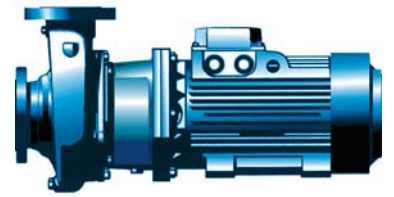
B: sizes
71M, 80M, 90S, 90L



D: sizes
100L, 112M



C: sizes 132S, 132M, 160,
160L, 180M, 180L



Materials

- Casing: GG25, RG5
- Impeller: GG25, CF8M, RG5
- Shaft: F114, AISI 316L
- Shaft sleeve: AISI 316L
- Cover: GG25 / RG5

Technical data

Sizes:	DN 32-150
Maximum flow:	440 m ³ /h
Maximum head:	99 m
Maximum pressure:	10 bar
Temperature:	-15 hasta 140°C

